

BMW Group - AIR: 2018-10-01 / 08:31  
 Autorizovaný partner BMW: 42732/01  
 Model: 330xi  
 Identifikační číslo vozidla: A029599  
 Vývojové označení: E90  
 Kód typu: VD41  
 Typ vedení: VD41  
 Číslo objednávky: -

## Instrukce oprav

### Removing and installing/replacing door handle on door trim panel at front (passenger side) left or right (7 PJ)

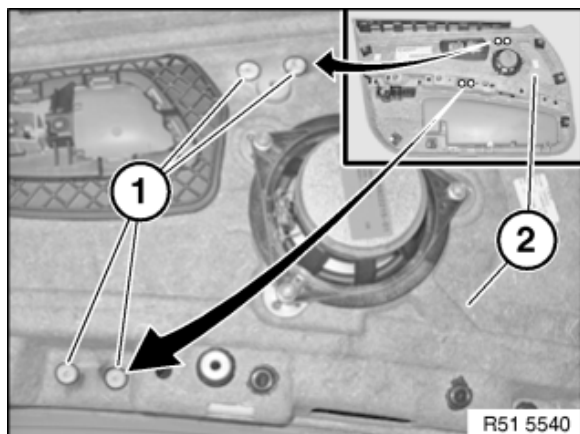
51 41 019 | REP-REP-RAE9051-5141019 - V.1

51 41 019 Removing and installing/replacing door handle on door trim panel at front (passenger side) left or right



#### Necessary preliminary tasks:

- Remove front door trim panel



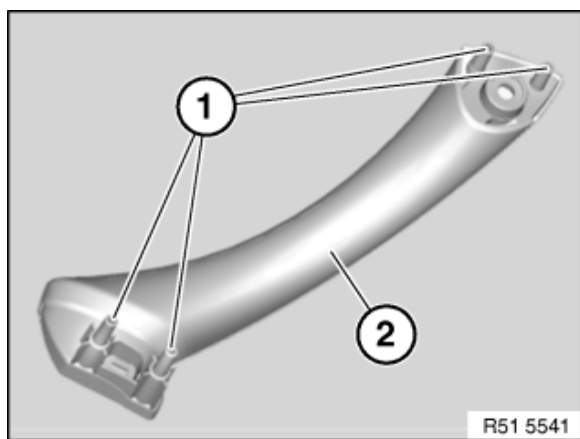
#### Important!

Risk of damage!

Only drill down to door trim panel area (2) so as not to damage the contact surface.

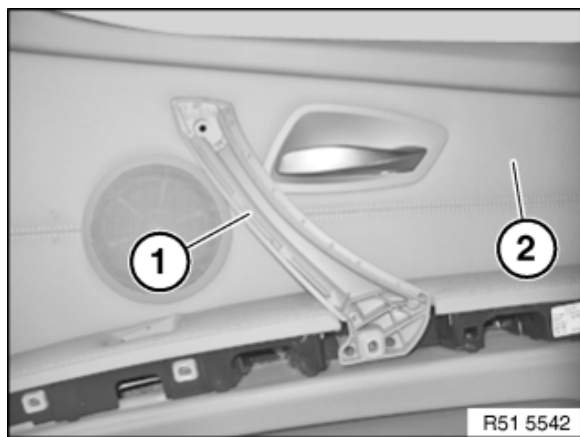
Drill out welding spots (1) on door trim panel (2) with 8 mm dia. welding spot drill bit.

Remove welding residue from door trim panel (2) and door handle with a scalpel (for heavy-duty applications) if these components are to be reused.

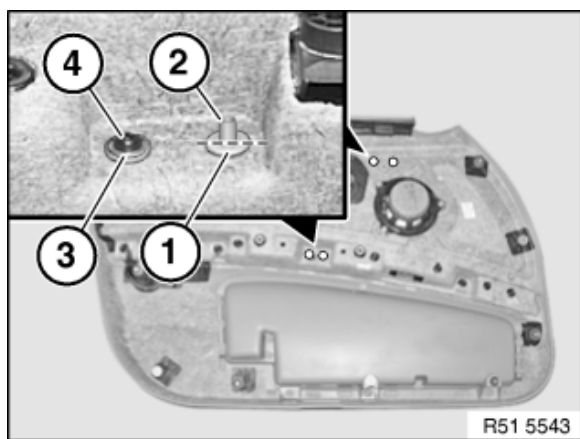


#### Replacement:

Drill out holes (1) in door handle (2) to 3.0 mm dia.



Slide door handle (1) into door trim panel (2).



**Installation:**

- Turn door trim panel over and lay with door handle on clean surface
- Lay large washer (1) on welding pin (2) and mark
- Remove door handle and saw off all welding pins (2) slightly below marking
- Insert door handle
- Fit large washer (1) and small washer (3)
- Secure with screw (4)
- Tighten down all 4 screws

Tightening torque 51 41 3AZ.